

# **15" LF Speaker 750w RMS Driver BDP15**

Premier 15" 750w RMS 8Ω CAST ALUMINIUM BASKET Sub-Woofer Professional Chassis Driver

## **GENERAL CHARACTERISTICS**

>100 dB Sensitivity (1W/1m).

1500 W Program Power

3000 W Peak

100 dB SPL output.

BRITISH Paper Cone

With Push-button Spring Terminals

Highest Quality British Cone offering increased strength, durability and performance.

Nominal Voice Coil Diameter 100 mm

Magnet Weight 90 OZ

## **Specifications:**

Nominal Chassis Diameter 381 mm / 15"

Impedance 8 ohm

Power Handling 750 w (A.E.S.)

Peak Power (6dB Crest Factor) 3000 w

Usable Frequency Range -6dB 38 Hz - 1.5 kHz

Sensitivity (1 w - 1 m) 98 dB

Moving Mass inc. Air Load 82.39 grams

Minimum Impedance  $Z_{min}$  7 ohm

Effective Piston Diameter 381.76 mm / 15.03"

Peak Displacement Volume of Cone  $V_d$  0.5 litres

Magnetic Gap Depth 10 mm

Flux Density 0.97 Tesla

Coil Winding Height 22 mm

Voice Coil Diameter 99.2 mm

## **Thiele Small Parameters:**

$F_s$  37 Hz

$R_E$  Ohms 5.4 Ohms

$Q_{ms}$  6.28

$Q_{es}$  0.414

$Q_{ts}$  0.389

$V_{as}$  Ltr 236 litres

$V_d$  litres 0.556 litres

$CMS$  (mm/N) 0.228 mm/N

$BL$  T/m 15.9 T/m

$M_{ms}$  (grms) 81 grams

$X_{max}$  (mm) 6.5 mm

$S_d$  (cm<sup>2</sup>) 855 cm<sup>2</sup>

Efficiency 2.83%

$L_e$  (1k Hz) 1.52 mH

**Materials:**

- Push-button Spring Terminals
- Former Material Glass Fibre
- Voice Coil Copper
- Magnet Material Ferrite
- Chassis Cast Alloy
- Cone British Made
- Surround / Edge Termination Polyvinyl Damped Dbl. Half Roll
- Poly Cotton
- Dust Dome Paper

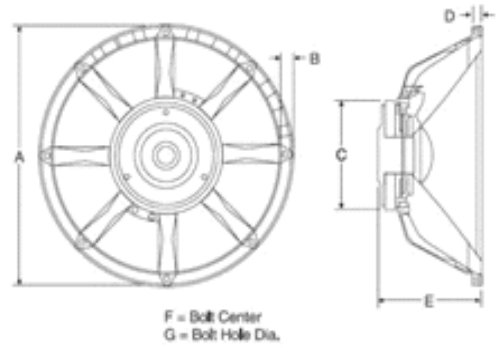
**Mounting and Shipping Information:**

- Overall Diameter 381 mm
- Width Across Flats N/A
- Flange Height 8.89 mm
- Baffle Hole Diameter F/M 351.79 mm
- Baffle Hole Diameter R/M 351.79 mm
- Gasket Supplied Front & Rear
- Fixing Holes 8x 6.35 mm on 369.2 mm PCD
- Depth 168.91 mm
- Weight 12 kg
- Recommended Enclosure Volume 50 - 125 litres
- Shipping Weight 14kg
- Packing Carton Dimensions 220 x 460 x 460

<b>BDP15</b> Dimensions: (mm)	
A	396
B	19
C	180
D	13
E	165
F	375
G	6.5*8



Dimensions



F = Bolt Center  
G = Bolt Hole Dia.