

15" LF Speaker 750w RMS Driver BDP15

BishopSound Powertone 15" 750w RMS 8Ω CAST ALUMINIUM BASKET Professional Chassis Driver

GENERAL CHARACTERISTICS

>100 dB Sensitivity (1W/1m).

1500 W Program Power

3000 W Peak

750 W RMS/AES

100 dB SPL output.

BRITISH Paper Cone

With Push-button Spring Terminals

Highest Quality British Cone offering increased strength, durability and performance.

Nominal Voice Coil Diameter 100 mm

Magnet Weight 90 OZ

Specifications:

Nominal Chassis Diameter 381 mm / 15"

Impedance 8 ohm

Power Handling 750 w (A.E.S.)

Peak Power (6dB Crest Factor) 3000 w

Usable Frequency Range -6dB 38 Hz - 1.5 kHz

Sensitivity (1 w - 1 m) 99 dB

Moving Mass inc. Air Load 82.39 grams

Minimum Impedance min 7 ohm

Effective Piston Diameter 381.76 mm / 15.03"

Peak Displacement Volume of Cone Vd 0.5 litres

Magnetic Gap Depth 10 mm

Flux Density 0.97 Tesla

Coil Winding Height 22 mm

Voice Coil Diameter 99.2 mm

Thiele Small Parameters:

Fs 37 Hz

RE Ohms 5.4 Ohms

Qms 6.28

Qes 0.414

Qts 0.389

Vas Ltr 236 litres

Vd litres 0.556 litres

CMS (mm/N) 0.228 mm/N

BL T/m 15.9 T/m

Mms (grms) 81 grams

Xmax (mm) 6.5 mm

Sd (cm²) 855 cm²

Efficiency 2.83%

Le (1k Hz) 1.52 mH

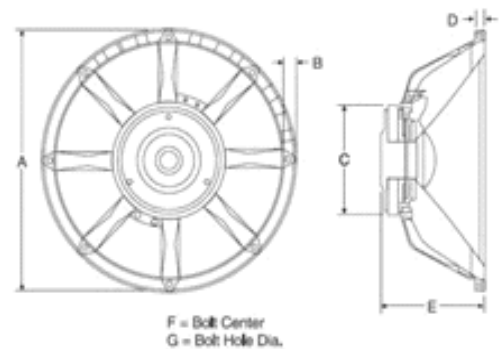
Materials:

Push-button Spring Terminals
Former Material Glass Fibre
Voice Coil Copper
Magnet Material Ferrite
Chassis Cast Alloy
Cone British Made
Surround / Edge Termination Polyvinyl Damped Dbl. Half Roll
Poly Cotton
Dust Dome Paper

Mounting and Shipping Information:

Overall Diameter 381 mm
Width Across Flats N/A
Flange Height 8.89 mm
Baffle Hole Diameter F/M 351.79 mm
Baffle Hole Diameter R/M 351.79 mm
Gasket Supplied Front & Rear
Fixing Holes 8x 6.35 mm on 369.2 mm PCD
Depth 168.91 mm
Weight 12 kg
Recommended Enclosure Volume 50 - 125 litres
Shipping Weight 14kg
Packing Carton Dimensions 220 x 460 x 460

BDP15 Dimensions: (mm)	
A	396
B	19
C	180
D	13
E	165
F	375
G	6.5*8



Dimensions