

BISHOPSOUND BDP18 SUB BASS WOOFER 18" 1000w RMS

General Characteristics

- Nominal Overall Diameter: 460 mm
- Nominal Voice Coil Diameter: 100 mm
- Magnet Weight: 125 OZ
- Flux Density: 1.42 T
- Weight: 11.2 Kg

Thiele-Small Parameters

- Voice Coil DC Resistance R_e 5.6 Ω
- Resonance Frequency F_s 34.8 Hz
- Mechanical Q Factor Q_{ms} 11.48
- Electrical Q Factor Q_{es} 0.57
- Total Q Factor Q_{ts} 0.543
- Mechanical Moving Mass M_{ms} 202.6 g
- Mechanical Compliance C_{ms} 103.05 $\mu\text{m}/\text{N}$
- Force Factor BL 20.87 Wb/m
- Equivalent Acoustic Volume V_{as} 219.7 lt.
- Maximum Linear Displacement X_{max} ± 7.5
- Reference Efficiency η_0 1.575 %
- Diaphragm Area S_d 122.54 cm^2
- Losses Electrical Resistance R_{es} Ω
- Voice Coil Inductance@ 1K Hz L_E m H

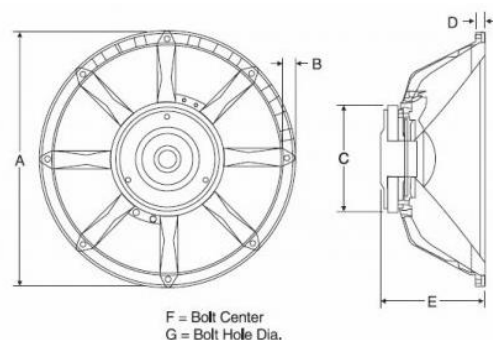
Electrical Characteristics

- Nominal Impedance 8 Ω
- Musical Power 2000 W
- Rated Power 1000 W
- Sensitivity@1W/1m 95 d B

Construction Characteristics

- Magnet Ferrite
- Voice Coil Winding Copper
- Voice Coil Former Kapton
- Cone Paper
- Surround Treated Cloth
- Dust Dome Paper
- Basket Die Cast Aluminium

Dimensions: (mm)	
A	460
B	19
C	220
D	17
E	198
F	440
G	6.5*8



Dimensions