

BISHOPSOUND BDP12 12" 400w RMS 8Ω Professional Chassis Driver

GENERAL CHARACTERISTICS

- Nominal Overall Diameter = 312 mm Nominal Impedance 8 Ω
- Nominal Voice Coil Diameter = 75 mm Musical Power 600 W
- Magnet Weight = 80 OZ Rated Power 400 W RMS
- Flux Density = 1.2 T Sensitivity@1W/1m 95 d B
- Weight = 6.3 Kg

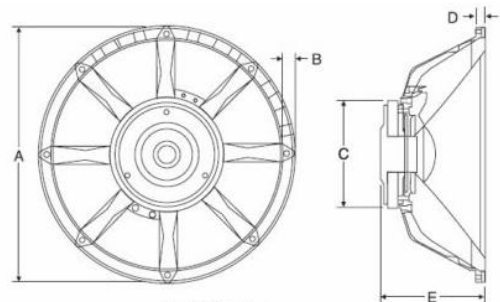
THIELE-SMALL PARAMETERS

- Voice Coil DC Resistance = R_e 5.6 Ω
- Resonance Frequency = F_s 45.0 Hz
- Mechanical Q Factor = Q_{ms} 10.91
- Electrical Q Factor = Q_{es} 0.52
- Total Q Factor = Q_{ts} 0.48
- Mechanical Moving Mass = M_{ms} 72.34 g
- Mechanical Compliance = C_{ms} 92.1 $\mu\text{m}/\text{N}$
- Force Factor = BL 18.225 Wb/m
- Equivalent Acoustic Volume = V_{as} 34.9 lt.
- Maximum Linear Displacement = X_{max} ± 3 mm
- EBP = 140
- X_{lim} = 18mm
- Reference Efficiency = η_0 1.580 %
- Diaphragm Area = S_d 90.1 cm^2
- Losses Electrical Resistance = R_{es} Ω
- Voice Coil Inductance@ 1K Hz = L_E m H

CONSTRUCTIVE CHARACTERISTICS

- Magnet = Ferrite
- Voice Coil Winding = Copper
- Voice Coil Former = Kapton
- Cone = Paper
- Surround = Treated Cloth
- Dust Dome = Paper
- Basket = Diecast Aluminium

| BDP 12 Dimensions: (mm) | |
|-------------------------|-------|
| A | 312 |
| B | 16 |
| C | 170 |
| D | 15 |
| E | 142 |
| F | 295 |
| G | 6.5*8 |



F = Bolt Center
G = Bolt Hole Dia.